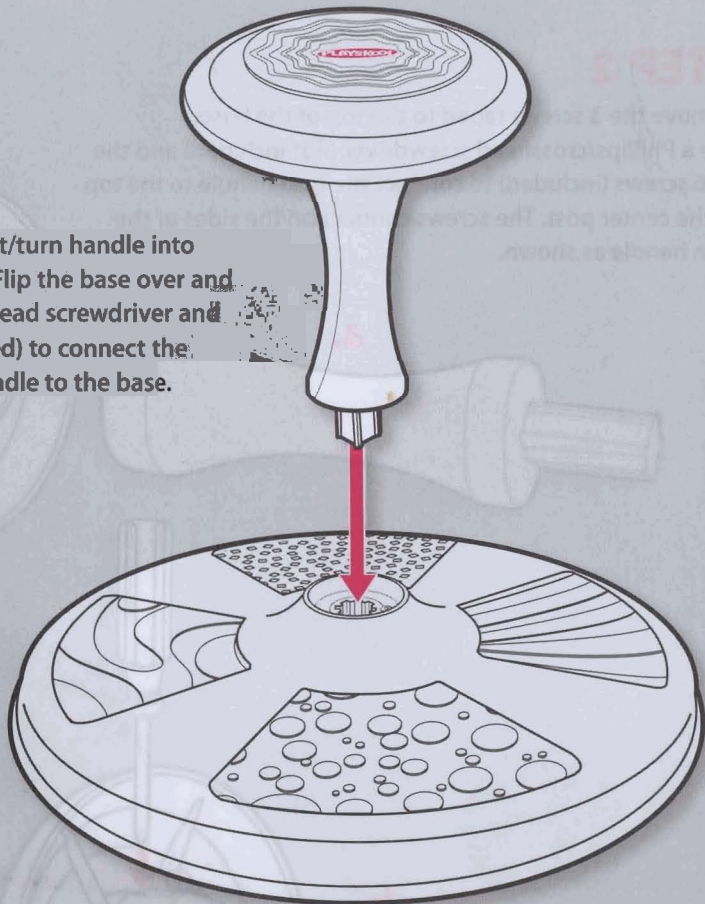


STEP 3

Place the center post/turn handle into the base as shown. Flip the base over and use a Phillips/crosshead screwdriver and 1 #10 screw (included) to connect the center post/turn handle to the base.



NOTE: Check to be sure that all assembled parts are securely attached before using the toy.



© 2009 Hasbro. All Rights Reserved.
TM & © denote U.S. Trademarks.
258330000Asst PN 7035810000

Visit
PLAYSKOOL.com

Questions? Call 1-800-PLAYSKL

WARNING:

Product must be assembled by an adult. This product contains small parts which are necessary for assembly. Prior to and during assembly of this product, keep small parts out of children's reach. Small parts pose a choke hazard to children under 3 years.

INCLUDES: base,
center post (2 halves), 3 screws,
turn handle and instructions.

THE ORIGINAL
Sit'n Spin

Adult assembly required.

Phillips/cross head screwdriver (not included) needed for assembly.

This product contains 1 x #10 (3/4") and 2 x #6 (1/2") Phillips head sheet metal screws. Replacement screws, if needed, are available at most hardware stores.

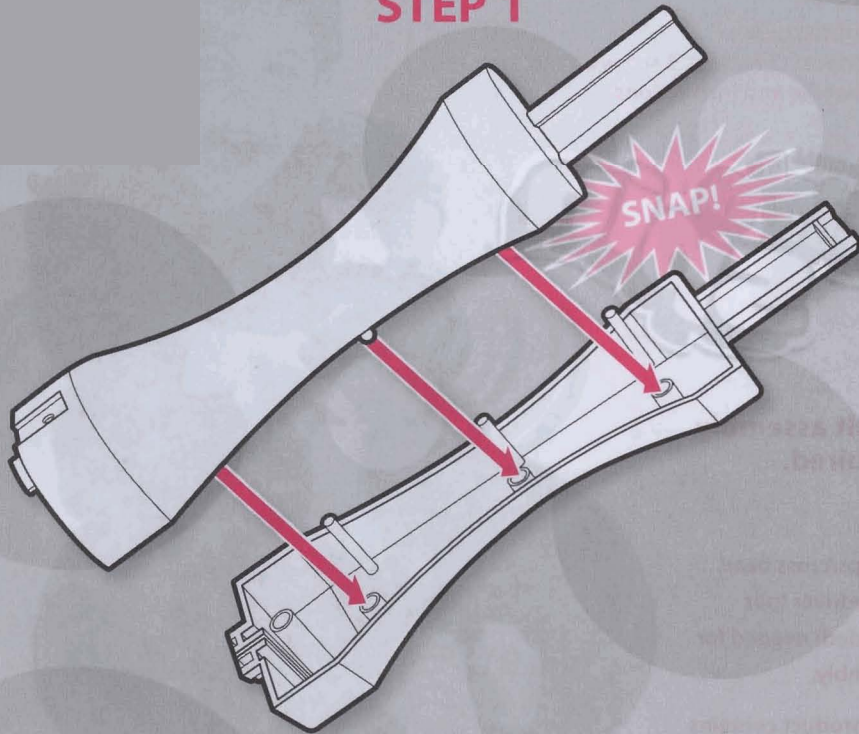
OVER
1 1/2 to 5 1/2
years



PLAYSKOOL
More than Play™

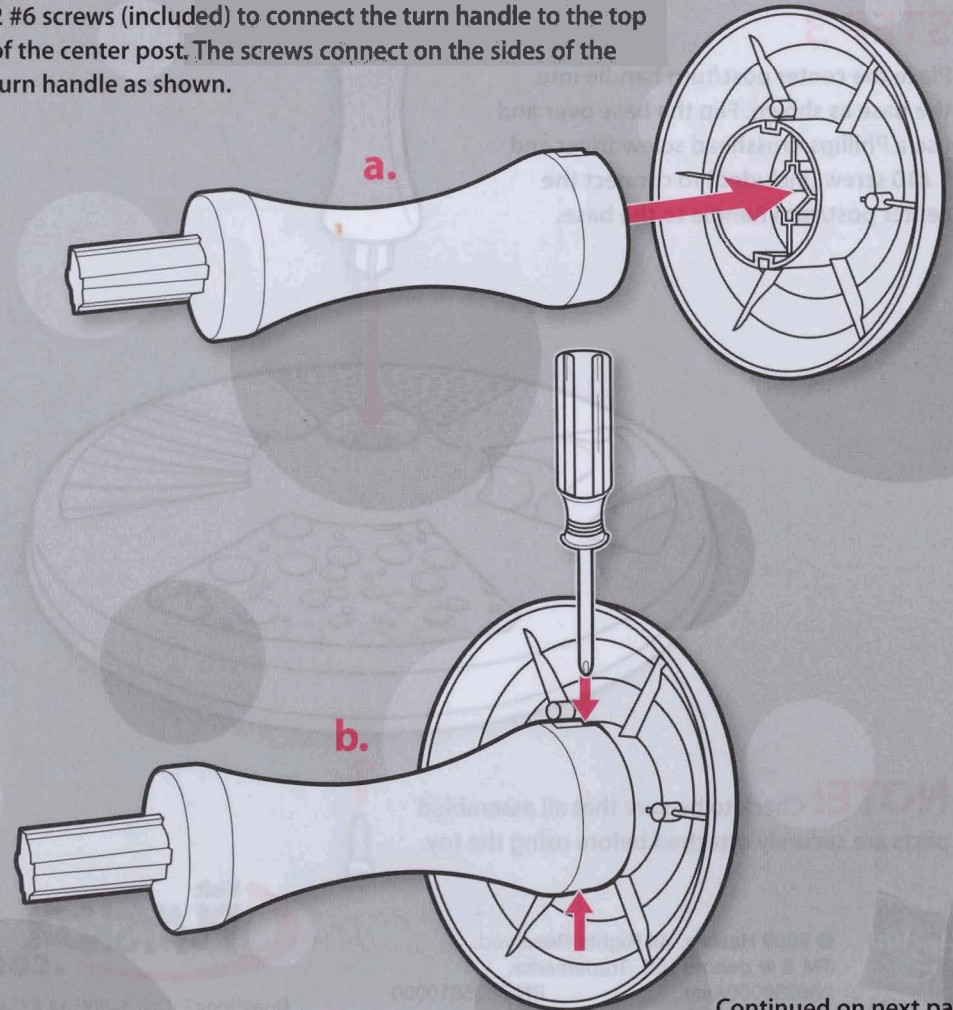
ASSEMBLY:

STEP 1



STEP 2

Remove the 3 screws taped to the top of the base. Use a Phillips/crosshead screwdriver (not included) and the 2 #6 screws (included) to connect the turn handle to the top of the center post. The screws connect on the sides of the turn handle as shown.



Continued on next page.